

Floor Drains with Stainless Steel Strainers

FD-1100-A Floor Drain with Round Stainless Steel Strainer



Model Number	Weight (lbs.)	Str. Size	Pipe Size	Strainer	List Price
FD-1102,3,4-A5	11	5"	2,3,4"	stainless steel	\$601.50
FD-1102,3,4-A6	12.5	6"	2,3,4"	stainless steel	712.50
FD-1102,3,4-A8	16	8"	2,3,4"	stainless steel	973.00

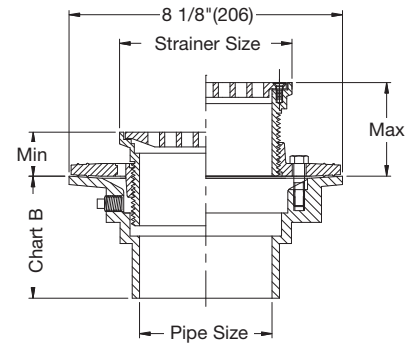


Chart A		
Strainer	Min.	Max.
5"	13/16"	3 1/4"
6"	7/8"	3 3/8"
8"	7/8"	3 1/4"

Chart B					
Pipe Size	No Hub	Push On	Female Thread	Inside Caulk	PVC/ABS
2"	3 5/8"	4 1/4"	4 1/4"	4 1/2"	4"
3"	3 5/8"	4 1/4"	4 1/4"	4 1/2"	4"
4"	3 5/8"	4 1/4"	4 1/4"	4 1/2"	4"
6"	3 1/2"	-	-	-	-

FD-1100-B Floor Drain with Heavy Duty Round Stainless Steel Strainer



Model Number	Weight (lbs.)	Str. Size	Pipe Size	Strainer	List Price
FD-1102,3,4-B5	11	5"	2,3,4"	stainless steel	\$811.50
FD-1102,3,4-B6	12.5	6"	2,3,4"	stainless steel	917.50
FD-1102,3,4-B8	16	8"	2,3,4"	stainless steel	1,175.00

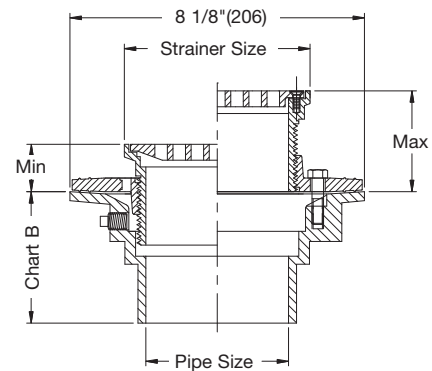


Chart A		
Strainer	Min.	Max.
5"	13/16"	2 1/2"
6"	7/8"	2 3/4"
8"	7/8"	3 1/4"

Chart B					
Pipe Size	No Hub	Push On	Female Thread	Inside Caulk	PVC/ABS
2"	3 5/8"	3 5/8"	4 1/4"	4 1/4"	2 3/4"
3"	3 5/8"	4"	4 1/4"	4 1/4"	3 5/8"
4"	3 5/8"	4"	4 1/4"	4 1/4"	3 7/8"
6"	3 1/2"	-	-	-	-

Note: Funnels are ordered separately. See page 63 for details.

Options for FD-1100 Series:

Suffix	Description	List Price	Suffix	Description	List Price
None	No Hub Outlet	No Add	-60	PVC Body w/Socket Outlet (2,3,4" only)	No Add
P	Push-On Outlet	No Add	-61	ABS Body w/Socket Outlet (2,3,4" only)	No Add
T	Threaded Outlet	\$80.00	-F4-3	4" Round SS Funnel	\$548.00
X	Inside Caulk	No Add	-F4-50	4" Round Cast Iron Funnel	179.00
None	6" Outlet No Hub Only	120.00	-F4-1	4" Round Nickel Bronze Funnel	428.00
-5	Sediment Bucket	108.00	-F6-1	6" Round Nickel Bronze Funnel	625.50
-6	Vandal Proof	54.50	-G-50	4x9" Oval Cast Iron Funnel	423.00
-7	Trap Primer Tapping	No Add	-G-1	4x9" Oval Nickel Bronze Funnel	872.00
-8	Ball Float Backwater Valve (2,3,4" only)	377.50	-S0	Side Outlet (2,3,4" only)	218.00
-13	Galvanized Body	195.50			
-15	Strainer Extension (DD-50)	141.00			
-28	304 SS Body and Collar (No Hub Only)	911.00			

Consult factory for all applications outside of listed parameters.
Prices do not include applicable taxes.

